



## Loose Accessory Floor Mat Anchor

### SYMPTOM

The driver's floor mat anchor moves from side to side.

### PROBABLE CAUSE

The floor mat anchor pivots on the mounting screw.

### CORRECTIVE ACTION

Replace the floor mat anchor with the improved part.

### PARTS INFORMATION

Floor Mat Anchor:  
P/N 08P15-S2A-101R1, H/C 6473425

### WARRANTY CLAIM INFORMATION

**In Warranty:** The normal warranty applies.

Operation Number: 029105

Flat Rate Time: 0.5 hour

Failed Part: P/N 08P15-S2A-100R1  
H/C 6182588

Defect Code: 049

Template ID: 00-050A

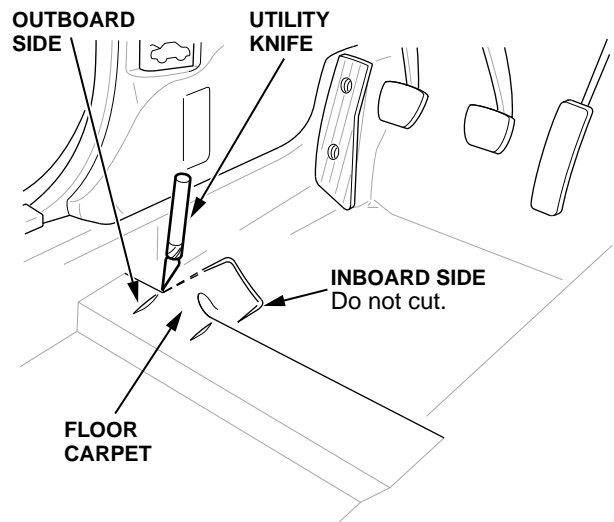
Contention Code: A01

Skill Level: Repair Technician

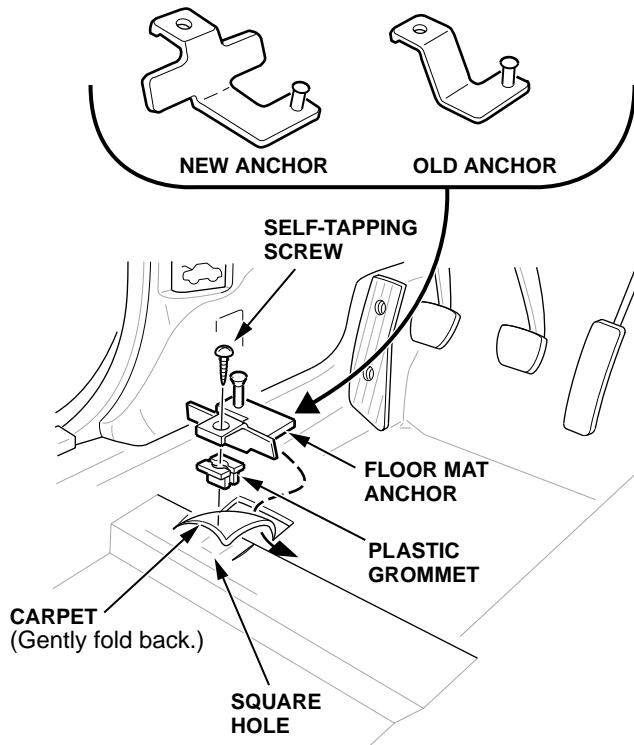
**Out of warranty:** Any repair performed after warranty expiration may be eligible for goodwill consideration by the District Service Manager or your Zone Office. You must request consideration, and get a decision, before starting work.

### REPAIR PROCEDURE

1. Slide the seat back as far as possible, and locate the precuts in the carpet. If you find two precuts, go to step 2. If you find one long precut, go to step 3.
2. With a utility knife, cut through the carpet between the smaller outboard precuts. Do not cut between the inboard precuts.



3. Gently pull back the flap of carpet until you can access the mounting screw. Be careful not to tear the carpet.



9. Install the driver's floor mat and place its grommet over the pin.

4. Remove the screw, the floor mat anchor, and the plastic grommet from the body crossmember.
5. Push the plastic grommet from the floor mat anchor kit (listed under PARTS INFORMATION) into the square hole in the crossmember.
6. Fold the cut piece of carpet over the floor mat anchor.
7. Tuck the carpet edge under the edge of the floor mat anchor to raise the pin to the proper height. This will help keep the floor mat in the correct position.
8. Position the floor mat anchor on the plastic grommet, and install the self-tapping screw. Tighten the screw securely.

