

Search by Part Number or Keywords



[Honda Parts](#) > **52300S2AJ02**



This part is a fit for your vehicle selected:

My Vehicle

[Change Vehicle](#)

2004 Honda S2000 2 Door S2000; KA 6MT

Honda Part No.: 52300-S2A-J02

Spring, RR. Stabilizer



Your Price: \$126.87

Retail Price: ~~\$180.73~~

You Save: \$53.86

Qty:

1



ADD TO CART

This part fits the following vehicle options:

- Mfg.Origin: JPN

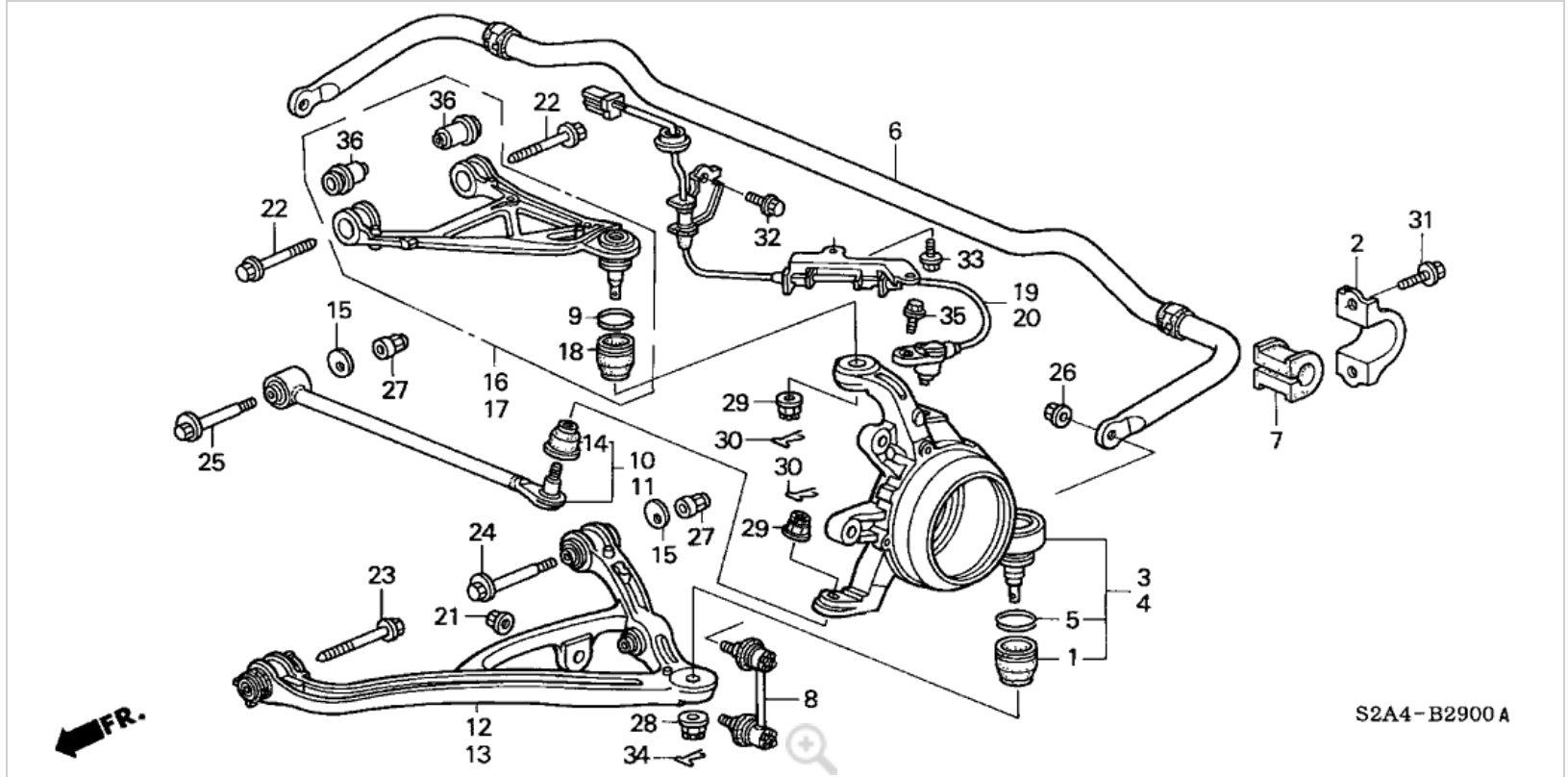
Part Info

Part No. 52300-S2A-J02

Part Description Spring, RR. Stabilizer

Manufacturer Honda. This genuine Honda part is guaranteed by Honda's factory warranty.

This part can be found in the diagram as **Reference No.: 6**



[Shop for related parts listed in the diagram.](#)

Part Fitment

Model	Year	Body & Trim ?	Emission & Transmission ?
S2000	2009	2 Door BASE	KA 6MT
S2000	2008	2 Door BASE	KA 6MT
S2000	2007	2 Door S2000	KA 6MT
S2000	2006	2 Door S2000	KA 6MT
S2000	2005	2 Door S2000	KA 6MT
S2000	2004	2 Door S2000	KA 6MT

Genuine Honda Parts, the Right Choice

Your vehicle deserves only genuine Honda parts. To ensure reliability, purchase Honda 52300S2AJ02 Spring, RR. Stabilizer. It is sometimes referred to as [Honda Sway Bar Kit](#). Our parts and accessories are shipped directly from authorized Honda dealers and backed by the manufacturer's warranty. OEM parts are the best for restoring your vehicle to factory condition performance. This part fits Honda [S2000](#).

Website Info

Policies

Tools

Links



G+1 180

© 2006-2017 HondaPartsNow.com by Genuine Parts Giant, Inc. - All rights reserved.